



Applied Systems Engineering, Inc.

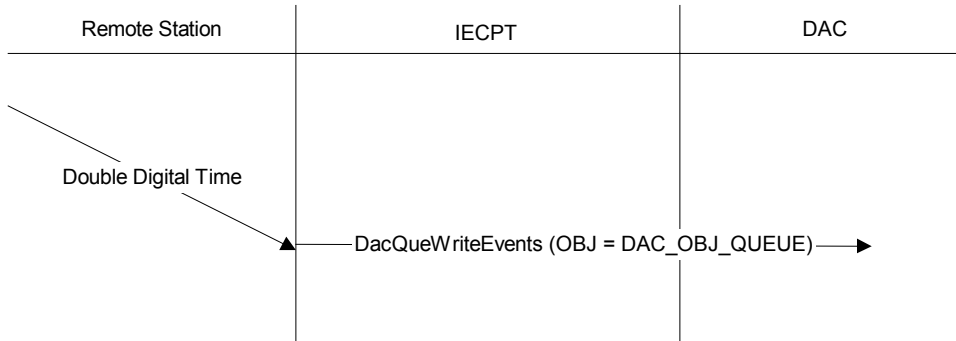
Technical Note 24
IEC Master Mode Event Write

About Event Processing

When the IECPT receives a time-stamped ASDU when acting as master, the data in the ASDU is written to DAC as an event. The target object for the event write is determined by the setting of the IEC property `IPROP_IEC_SYSTEM_QUEUE`.

IPROP_IEC_SYSTEM_QUEUE = True.

When the system queue property is true the write is targeted to the DAC queue object as follows:

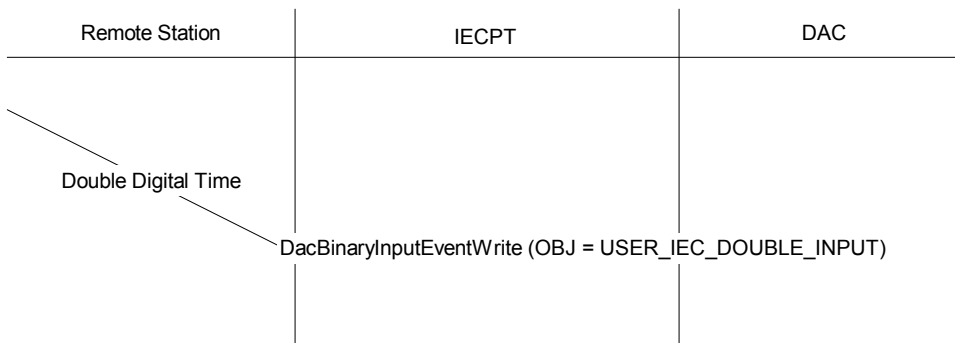


The structure used in the write is the `QUEUEINPUTEVENT` structure.

```
DacQueueWriteEvents( , , , LPQUEUEINPUTEVENT ep )
{
    ep->ObjId = DAC object that event belongs to (double digital).
    Ep->dacpnt.Bie /* BINARYINPUTEVENT structure */
}
```

IPROP_IEC_SYSTEM_QUEUE = False.

When the system queue property is false the write is targeted to the DAC object that the event is associated with as follows:



The structure used in the write is the `BINARYINPUTEVENT` structure.

```
DacBinaryInputWriteEvents( , ObjId, , LPBINARYINPUTEVENT ep )
{
}
```